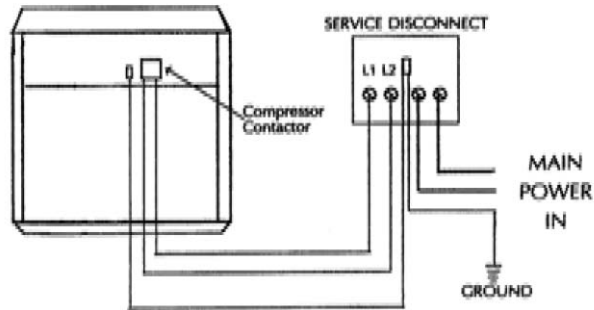
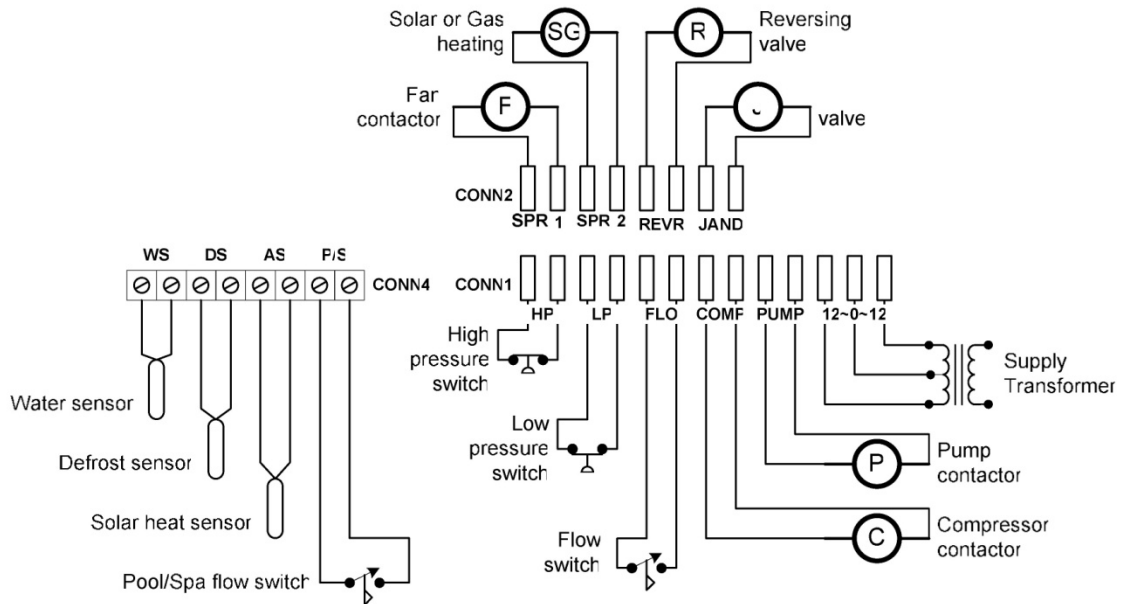


# WIRING DIAGRAMS



**FIELD WIRING DIAGRAM**

## Notes

1. Use copper conductors only
2. Connect field wiring in grounded rain tight conduit, per rating plate.
3. Connect bond wire to pool steel using # 8 solid copper wire or larger.
4. All wiring must confirm to National (N.E.C.) and local electrical codes.